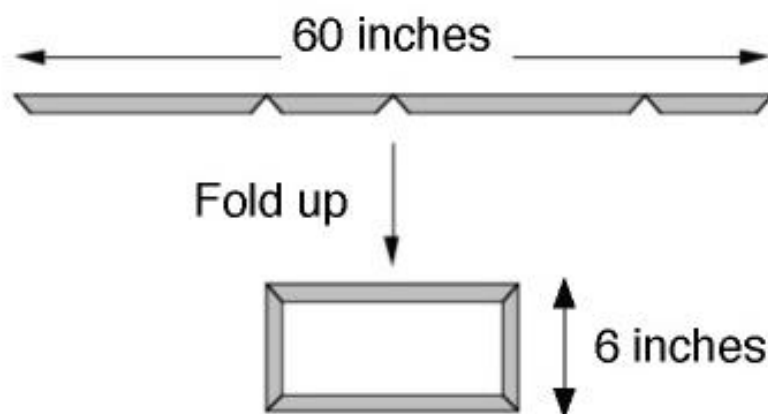


S1



60 inches of plastic are folded to make a picture frame.

The height of the finished frame is 6 inches. How long is the frame?

S2

Tom is 57 years old.

Tom has a son called James.

In three years time Tom will be twice as old as James.

How old is James?



S3

Strawberry chews cost 3¢ more than lollipops.

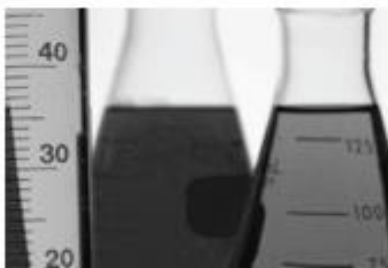


Sarah pays 54¢ for two strawberry chews and four lollipops.

What is the price of a strawberry chew?

S4

Joseph takes a Science exam made up of two papers.



His score on Paper 1 is 6 points higher than his score on Paper 2. His total score on both papers is 54.

What is his score on Paper 2?

S5

Anna owes her parents \$54.

She decides to pay this money back at \$6 each week.

After some weeks she finds she has paid back \$6 too much.

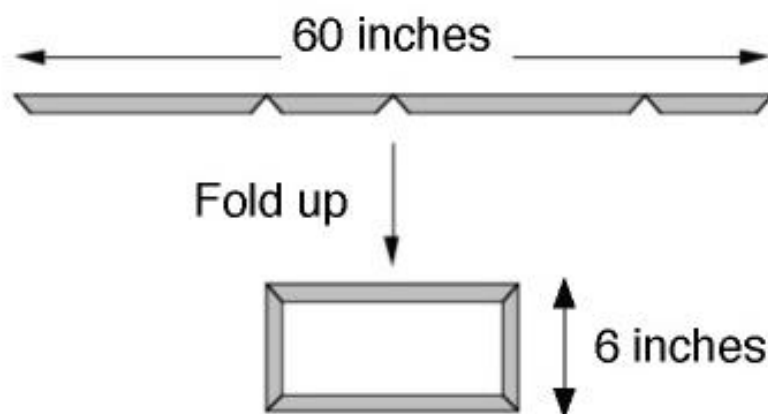
How long has she been paying the money back?

S6

“I think of a number,
double it, and add 12. My
answer is 54.”

What number am I thinking of?

S1



60 inches of plastic are folded to make a picture frame.

The height of the finished frame is 6 inches. How long is the frame?

S2

Tom is 57 years old.

Tom has a son called James.

In three years time Tom will be twice as old as James.

How old is James?



S3

Strawberry chews cost 3¢ more than lollipops.

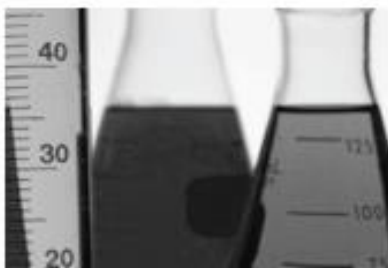


Sarah pays 54¢ for two strawberry chews and four lollipops.

What is the price of a strawberry chew?

S4

Joseph takes a Science exam made up of two papers.



His score on Paper 1 is 6 points higher than his score on Paper 2. His total score on both papers is 54.

What is his score on Paper 2?

S5

Anna owes her parents \$54.

She decides to pay this money back at \$6 each week.

After some weeks she finds she has paid back \$6 too much.

How long has she been paying the money back?

S6

“I think of a number,
double it, and add 12. My
answer is 54.”

What number am I thinking of?